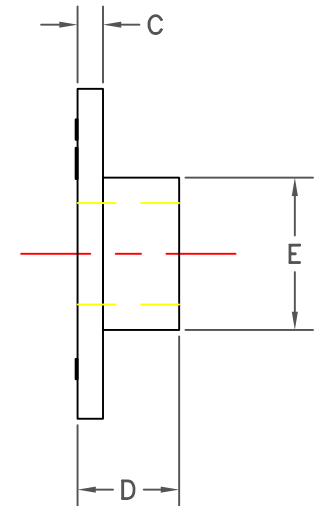
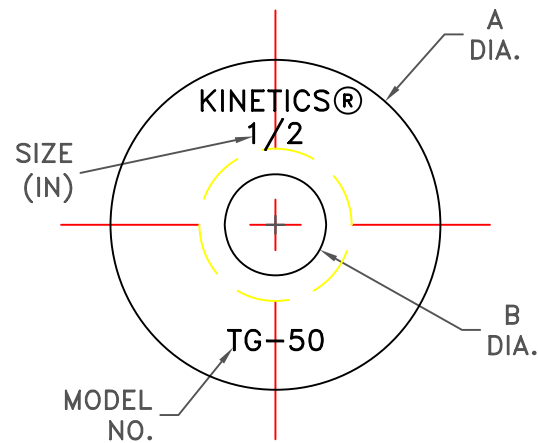
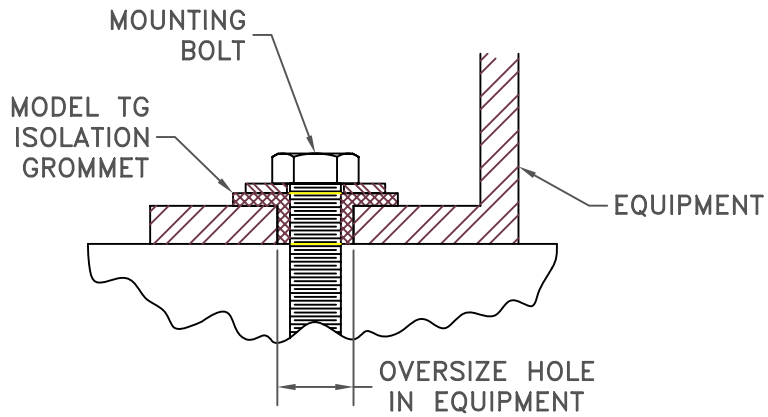


ISOLATION GROMMETS ARE MADE FROM 80 DURO. NEOPRENE.

MODEL	BOLT DIAMETER		DIMENSION										
			A		B		C		D		E		
	in	mm	in	mm	in	mm	in	mm	in	mm	in	mm	
TG-25	1/4	0.25	6	1.00	25	0.25	6	0.13	3	0.38	10	0.50	13
TG-38	3/8	0.38	10	1.25	32	0.38	10	0.13	3	0.50	13	0.63	16
TG-50	1/2	0.50	13	1.63	41	0.50	13	0.13	3	0.50	13	0.75	19
TG-63	5/8	0.63	16	2.00	51	0.63	16	0.19	5	0.63	16	0.88	22
TG-75	3/4	0.75	19	2.25	57	0.75	19	0.19	5	0.63	16	1.00	25
TG-100	1	1.00	25	2.75	70	1.00	25	0.25	6	0.88	22	1.25	32
TG-125	1 1/4	1.25	32	3.25	83	1.25	32	0.25	6	0.88	22	1.50	38
TG-150	1 1/2	1.50	38	3.75	95	1.50	38	0.25	6	1.00	25	1.75	44



TITLE
**MODEL TG
 BOLT ISOLATION GROMMET**

LAST DATE
 REVISED
02/07/03

REVISED BY
BB

DRAWING NO.
S-24.04-1A