

1. Elevate the equipment enough to slide the spring isolator under the equipment. Align the hole in the isolator top housing with that in the equipment foot or bracket.

2. Coordinate the location of each other isolator with the appropriate submittal drawing and with the color code chart provided for each spring.

3. Thread the lock nut well up on the leveling bolt and thread the leveling bolt through the equipment foot and into the isolator top housing.

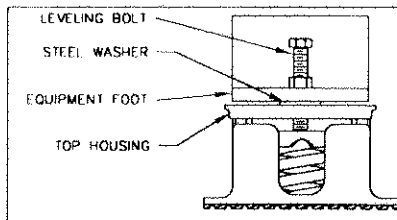
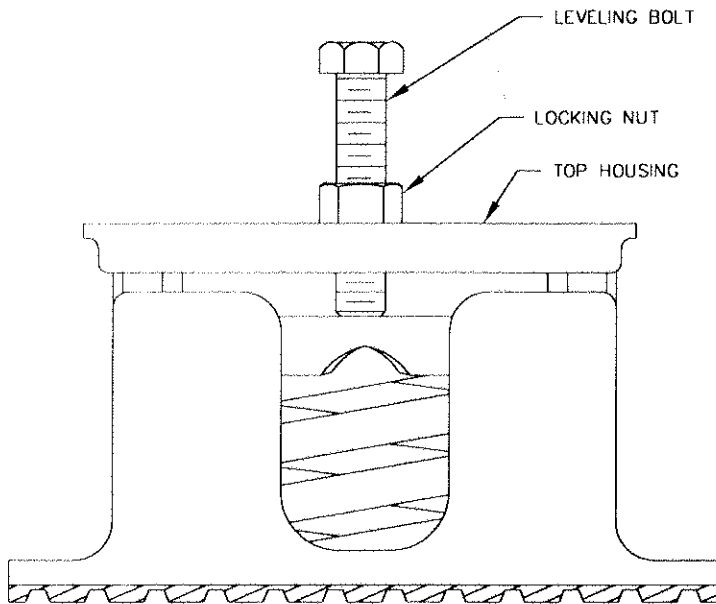
4. Lower the equipment onto the spring isolator, taking care not to overload any one isolator.

5. Turn the leveling bolt clockwise on the lowest equipment corners until the equipment is level. Do not attempt to place all the weight on any one spring, but distribute the load proportionately.

6. Continue to turn each leveling bolt until the top plate reaches operating height, shown in the appropriate submittal drawing, or until the top housing clears the bottom housing by 1/4" to 3/8".

7. After the equipment is level, tighten the locknut down on the equipment foot, thus, bolting the spring to the supported equipment and locking the leveling bolt against turning.

8. Do not attempt to move the isolators laterally with the weight of the equipment on them. If it is necessary to move the equipment, remove the weight from the isolators by raising the equipment before moving. Failure to follow this procedure could result in bent or broken isolator housings, or slippage between the noise pad and the bottom housing.



**NOTE:**

A flush fit between the equipment foot and the top housing is required for proper loading. When air space is visible between the two, place a steel washer on the leveling bolt to fill the space at the loading area.

A steel washer must be used between the equipment foot and top housing whenever the SL-2000-B isolator is required.