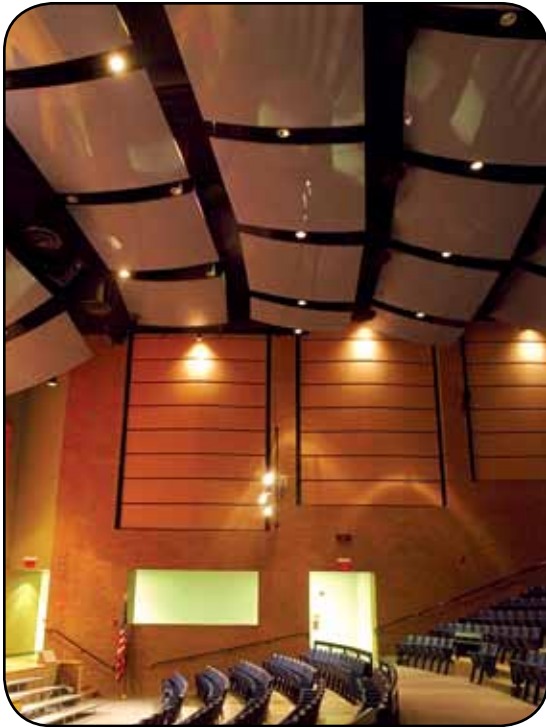


# KINETICS NOISE CONTROL

## Ovation Reflector Panels

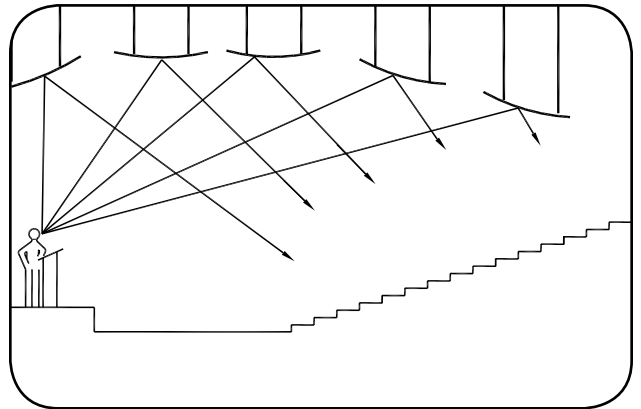


Ovation Reflector Panels create superior acoustics in auditoriums, performance spaces and lecture halls.



Designed for large spaces requiring improved sound directivity, strength, and timing of reflections from the ceiling area, this product is perfect for auditoriums, lecture halls, and performing arts centers.

Standard panels are constructed of a 1/2" plywood core that is finished with a fiber reinforced gel coat, these curved panels are ceiling-suspended with attachment points on the steel framing. Select from a wide range of colors. Laminate or hardwood veneer finishes are available on 3/4" plywood core. Ovation panels allow the designer to custom size large curved reflector surfaces. Typically 8' x



8' minimum sizes are recommended for broad band sound reflection. The sound reflector/diffuser is shipped as a flat panel and is bowed in the field to the architects' or acoustical consultants' specifications. The bowed surfaces produce more diffuse reflections and wider coverage.

Panel radius and dimensions are variable to meet both acoustical and design requirements. The angle of reflection is adjusted in the field using turnbuckle and cable suspension.



6300 Irelan Place  
Dublin, OH 43017  
1.800.959.1229 Toll-Free  
[www.kineticsnoise.com](http://www.kineticsnoise.com)

**Over 50 years of success solving acoustics and noise control problems!**

## Description

Overhead acoustical reflector/diffuser.

## Composition

- 1/2" plywood core with standard (stock) gel coat colors or optional custom colors
- Specify glossy (standard) or matte (optional) finish
- Also available with optional laminate facing or hardwood veneer on a 3/4" core board
- Painted steel reinforcing angles
- Standard sizes up to 8' x 18" (Up to 10' - Special Order)
- Approximate weight varies based on panel size and type. Minimum 2-1/2 psf
- Optional: Absorber or mass layer on back side

## Acoustical Performance

Sound Absorption per ASTM C-423.

Frequency, (Hz)	125	250	500	1000	2000	4000	NRC
J Mounting	0.15	0.00	0.03	0.04	0.05	0.14	<b>0.05</b>

## Fire Test Data

- Standard: Gel Coat Finish, Class C rated per ASTM E84
- Special Option: Class A rated 4' x 10' maximum panel size with fire rated core and laminate face

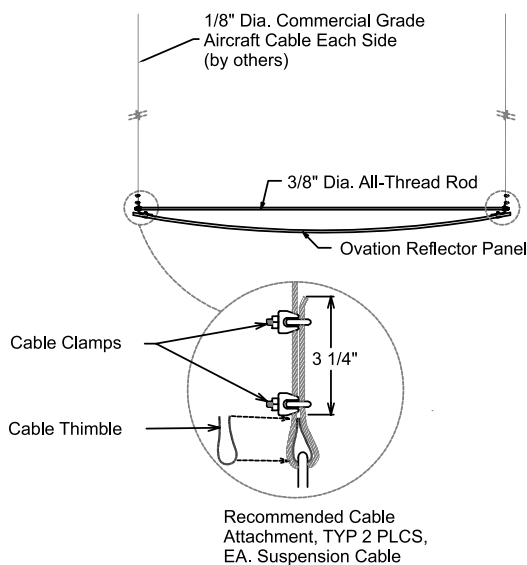
## Applications

- Large spaces that require improved direction strength and timing of sound reflections to greatly enhance listening quality.
- Auditoriums
- Lecture Halls
- Performing Arts Centers
- Worship Spaces
- Music Rehearsal Spaces

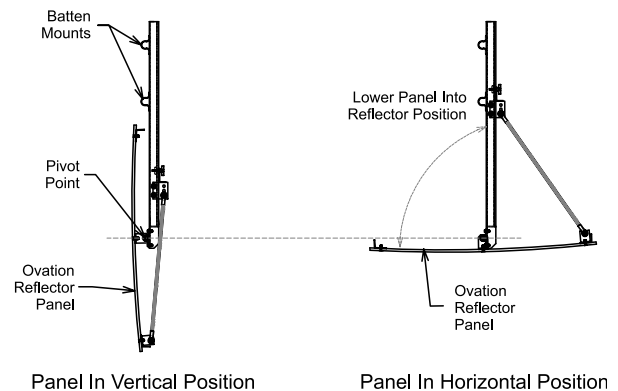
## Mounting

To be mounted following manufacturer's recommendations. See *Kinetics' Product Installation Guide*

## Typical Installation



## Retractable Option



Download the Specification in CSI Masterformat at [www.kineticsnoise.com](http://www.kineticsnoise.com)

