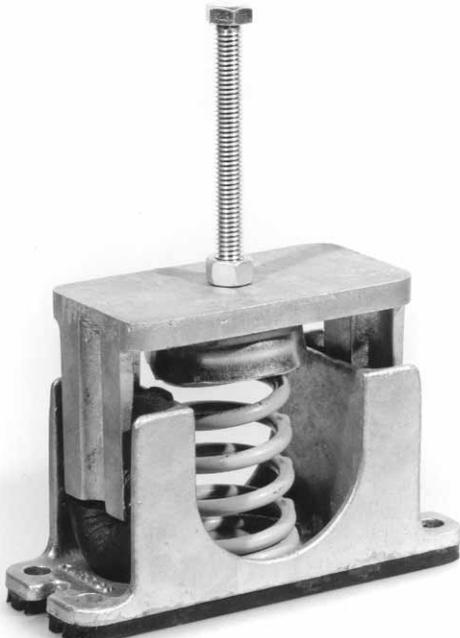


KINETICS™ Housed Spring Isolators Model SL

Description

Kinetics Model SL Spring Vibration Isolators consist of high deflection, color-coded stabile springs assembled into telescoping cast iron or aluminum housings which are complete with a 1/4" (6 mm) thick ribbed noise isolation pad bonded to the lower load surface and with an adjusting and leveling bolt as a part of the top assembly. Slots or holes are provided in all isolators for bolting to the structure. Model SL Spring Isolators are designed with a pre-adjusted snubbing feature to reduce movement during start-up and shut-down. Model SL Spring Isolators are available in deflections up to 1.84" (47 mm), and with load capacities from 35 to 3500 lbs. (16 to 1588 kg). Springs are epoxy powder coated, with a 1000 hour salt spray rating per ASTM B-117. Kinetics Model SL Spring Isolators are typically used to isolate vibration produced by mechanical, industrial, or process machinery where more damping is required and less motion can be tolerated than with free-standing spring isolators. Internal leveling can be provided as an option, as can molded fiberglass noise pads.



Application

Kinetics Model SL housed spring isolator mounts are used to isolate high and low frequency vibration generated by floor-mounted mechanical equipment located in non-critical areas.

Model SL mounts are typically used to isolate lightweight mechanical equipment, having lowest operating speeds of 1200 RPM, located on grade-supported slabs, or short structural floor spans, when the isolator-to-equipment connection is such that a leveling bolt can extend above the mount and act as a leveling and attachment bolt for supported equipment.

Model SL isolators are available as Model SLI and are typically used as above except that connection to supported equipment must be by a flat friction plate and level adjustment must be internal to the mount to allow access to adjustment bolts.

Model SL isolators are available as Model SLP and are used as above except that connections to equipment require a centering pin and level adjustment must be internal to the mount to allow access to adjustment bolts.

Isolator Type	Spring Color	Rated Capacity		Rated Deflection		Spring O.D.		A		B		C		D		F		G	
		lb	kg	in	mm	in	mm	in	mm	in	mm	in	mm	in	mm	in	mm	in	mm
SL-35A	Blue	35	16	1.57	39	1.75	45	2.12	54	6.12	155	3.50	89	.37	10	5.63	143	.31	8
SL-70A	Green	70	32	1.41	35	1.75	45	2.12	54	6.12	155	3.50	89	.37	10	5.63	143	.31	8
SL-120A	Gray	120	55	1.23	30	1.75	45	2.12	54	6.12	155	3.50	89	.37	10	5.63	143	.31	8
SL-220A	Brown	220	100	1.12	27	1.75	45	2.12	54	6.12	155	3.50	89	.37	10	5.63	143	.31	8
SL-370A	Orange	370	165	1.01	25	1.75	45	2.12	54	6.12	155	3.50	89	.37	10	5.63	143	.31	8
SL-500A	Beige	500	225	1.00	25	1.75	45	2.12	54	6.12	155	3.50	89	.37	10	5.63	143	.31	8
SL-600A	Chrome	600	275	1.00	25	1.75	45	2.12	54	6.12	155	3.50	89	.37	10	5.63	143	.31	8
SL-700A	Beige/Wh	700	315	1.00	25	1.75	45	2.12	54	6.12	155	3.50	89	.37	10	5.63	143	.31	8
SL-805A	Chr/Wh	805	365	1.00	25	1.75	45	2.12	54	6.12	155	3.50	89	.37	10	5.63	143	.31	8
SL-250C	Blue	250	115	1.84	46	3.00	76	3.50	89	9.00	229	5.00	127	.62	16	7.50	191	.44	12
SL-450C	Green	450	205	1.59	39	3.00	76	3.50	89	9.00	229	5.00	127	.62	16	7.50	191	.44	12
SL-625C	Black	625	285	1.49	37	3.00	76	3.50	89	9.00	229	5.00	127	.62	16	7.50	191	.44	12
SL-800C	Gray	800	365	1.36	33	3.00	76	3.50	89	9.00	229	5.00	127	.62	16	7.50	191	.44	12
SL-1000C	Red	1000	455	1.21	29	3.00	76	3.50	89	9.00	229	5.00	127	.62	16	7.50	191	.44	12
SL-1250C	Brown	1250	565	1.14	28	3.00	76	3.50	89	9.00	229	5.00	127	.62	16	7.50	191	.44	12
SL-1700C	Orange	1700	770	1.00	25	3.00	76	3.50	89	9.00	229	5.00	127	.62	16	7.50	191	.44	12
SL-2200C	Org/Gray	2200	998	1.00	25	3.00	76	3.50	89	9.00	229	5.00	127	.62	16	7.50	191	.44	12
SL-2465C	Blue	2465	1118	1.00	25	3.00	76	3.50	89	9.00	229	5.00	127	.62	16	7.50	191	.44	12
SL-2865C	Blu/Gray	2865	1300	1.00	25	3.00	76	3.50	89	9.00	229	5.00	127	.62	16	7.50	191	.44	12
SL-3500C	Blu/Brn	3500	1588	1.00	25	3.00	76	3.50	89	9.00	229	5.00	127	.62	16	7.50	191	.44	12

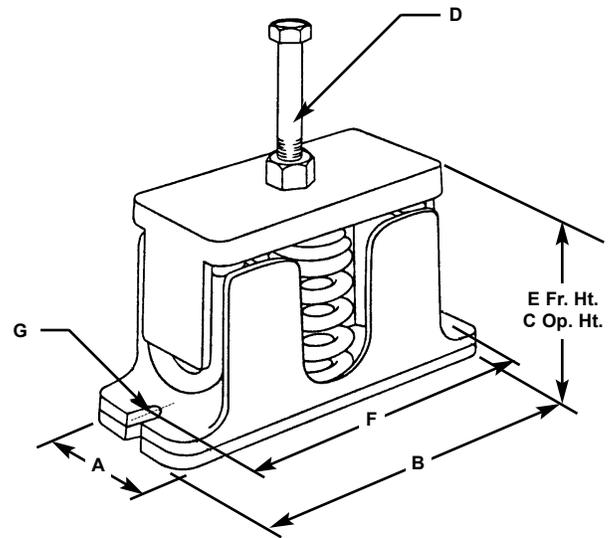
Specifications

Vibration isolators shall be housed springs, and shall consist of a steel spring and load cap housed in a cast semi-steel or aluminum assembly, with sponge neoprene snubbers designed to stabilize the isolators and prevent metal-to-metal connection of top and bottom housing sections. The top housing section shall be drilled and tapped and shall include a steel load transfer plate and leveling bolt, and locknut. The bottom housing section shall be bonded to a 1/4" (6 mm) thick ribbed neoprene noise isolation pad and shall be slotted to allow bolting to the supporting structure.

Spring elements shall have a lateral stiffness greater than 1.0 times the rated vertical stiffness and shall be designed to provide a minimum of 50% overload capacity.

Springs shall be selected to provide operating static deflections shown on the Vibration Isolation Schedule or as indicated on the project documents. Springs shall be color coded or otherwise identified to indicate load capacity.

Vibration isolators shall be Model SL, as manufactured by Kinetics Noise Control, Inc.



United States	Canada
6300 Irelan Place	1720 Meyerside Drive
P.O. Box 655	Mississauga, Ontario
Dublin, Ohio 43017	L5T 1A3
Phone: 614-889-0480	Phone: 905-670-4922
Fax: 614-889-0540	Fax: 905-670-1698

www.kineticsnoise.com
sales@kineticsnoise.com

Kinetics Noise Control, Inc. is continually upgrading the quality of our products. We reserve the right to make changes to this and all products without notice.