

# KINETICS™

## Free-Standing Spring Isolators Model FDS 1 and 2

### Description

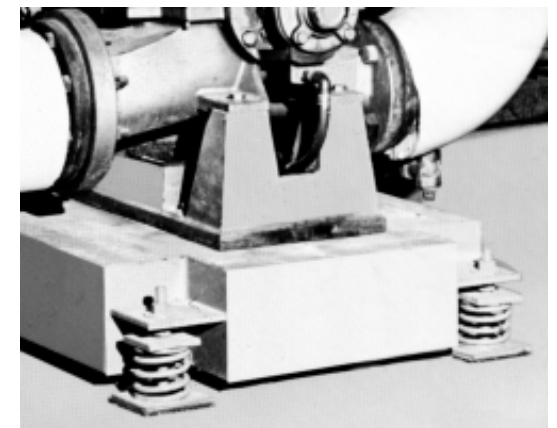
Kinetics Model FDS Spring Vibration Isolators consist of high deflection, free-standing, unboxed, large diameter, laterally stable steel springs assembled into an upper load plate and leveling assembly. To assure stability, the spring isolators have a lateral spring stiffness greater than 1.0 times the rated vertical stiffness and are designed to provide a minimum of 50% overload capacity. Springs are epoxy powder coated, with a 1000 hour salt spray rating per ASTM B-117. In lighter capacities, FDS Spring Isolators have molded neoprene bottom load plate assemblies. In heavier capacities, springs are welded to the load plate assemblies and are furnished with a neoprene noise isolation pad. FDS Isolators have provisions for bolting the isolator to the structure. FDS isolators are available with deflections to 4" (102 mm) and with load capacities to 23,200 lbs. (10,523 kg) as standard products. Custom isolators with higher deflection and greater load capacities are available. Kinetics Model FDS Spring Isolators are highly effective for control of both high and low frequency vibration produced by reciprocating air or refrigeration compressors, pumps, packaged air handling and air conditioning equipment, centrifugal and axial fans, internal combustion engines, etc.

### Application

Kinetics Model FDS spring mounts are recommended for use in isolating floor mounted sources of noise and vibration, located near critically quiet areas.

Model FDS spring mounts are typically used to reduce the transmission of noise and vibration from low speed mechanical equipment into a building structure. Operating static deflections are available to 4" (102 mm) to compensate for long span floor structures.

Model FDS spring mounts are used in a wide range of applications, some requiring Kinetics equipment bases in addition to spring isolators, and can be used to support and isolate the following equipment types: reciprocating air or refrigeration compressors, close coupled and base mounted pumps, packaged air handling and refrigeration equipment, centrifugal fans, internal combustion engines, and similar equipment.



**United States**  
6300 Irelan Place  
P.O. Box 655  
Dublin, Ohio 43017  
Phone: 614 889-0480  
Fax: 614 889-0540

**Canada**  
1720 Meyerside Drive  
Mississauga, Ontario  
L5T 1A3  
Phone: 905-670-4922  
Fax: 905-670-1698

[www.kineticsnoise.com](http://www.kineticsnoise.com)  
[sales@kineticsnoise.com](mailto:sales@kineticsnoise.com)

Kinetics Noise Control, Inc. is continually upgrading the quality of our products. We reserve the right to make changes to this and all products without notice.

### Model FDS-1 and 2

#### Specifications

Vibration isolators shall be free standing, unhooused, laterally stabile steel springs. Springs shall have a lateral stiffness greater than 1.0 times the rated vertical stiffness and shall be designed to provide a minimum 50% overload capacity.

Springs shall be assembled between top and bottom load plates. The upper load plate shall be provided with a steel leveling bolt lock-nut and washer for attachment to the supported equipment. The lower load plate shall incorporate a non-skid noise isolation pad and shall have provisions for bolting the isolator to the supporting structure.

Springs shall be selected to provide static deflections as shown on the Vibration Isolation Schedule or as otherwise indicated on the project documents. Springs shall be color coded or otherwise identified to indicate load capacity.

Spring isolation mounts for floor-mounted equipment shall be Model FDS, as manufactured by Kinetics Noise Control, Inc.

### Model FDS-1B and 2B

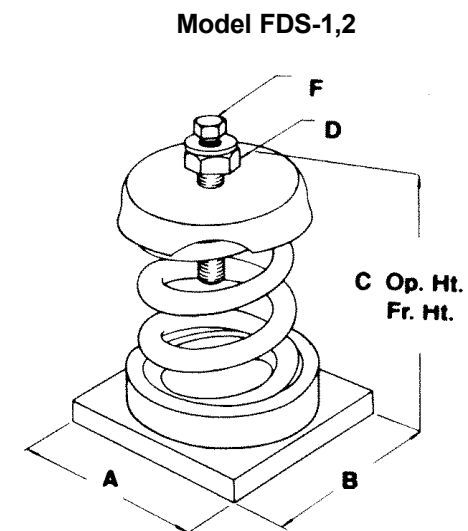
#### Specifications

Vibration isolators shall be free standing, unhooused, laterally stabile steel springs. Springs shall have lateral stiffness greater than 1.0 times the rated vertical stiffness and shall be designed to provide a minimum 50% overload capacity.

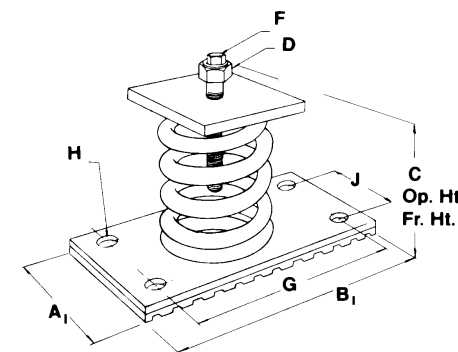
Springs shall be welded to top and bottom steel load plates. The upper load plate shall be provided with a steel leveling bolt lock-nut and washer for attachment to the supported equipment. The lower load plate shall have a non-skid noise isolation pad bonded to the bottom and shall have provisions for bolting the isolator to the supporting structure.

Springs shall be selected to provide operating static deflections shown on the Vibration Isolation Schedule or as otherwise indicated on the project documents. Springs shall be color coded or otherwise identified to indicate load capacity.

Spring isolation mounts for floor-mounted equipment shall be Model FDS-B, as manufactured by Kinetics Noise Control, Inc.

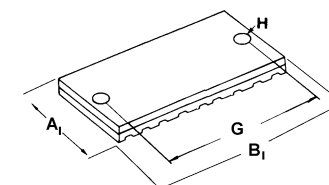


**Model FDS-1B, 2B  
Bolt Down**



#### Base Plate Configuration for:

FDS-1-2500B/7000B  
FDS-2-2000B/3900B  
FDS-2-4000B/7800B



#### Base Plate Configuration for:

FDS-1-250B/3500B    FDS-2-100B/1400B  
FDS-1-5000B/8800B    FDS-2-8000B/15600B  
FDS-1-9860B/14000B

(FDS-2-8000B/15600B has bolt conf. as shown on FDS-4)

Isolator Type	Spring Color	Rated Capacity		Rated Deflection		Spring O.D.		A		A <sub>1</sub>		B		B <sub>1</sub>		C		D		F		G		H		J	
		(lbs.)	(kg)	(in)	(mm)	(in)	(mm)	(in)	(mm)	(in)	(mm)	(in)	(mm)	(in)	(mm)	(in)	(mm)	(in)	(mm)	(in)	(mm)	(in)	(mm)	(in)	(mm)	(in)	(mm)
FDS-2-100	Gray	100	45	2.00	51	3.50	89	4.38	111	4.00	102	4.38	111	7.00	178	7.50	190	.75	19	.38	10	5.50	140	.68	17	-	-
FDS-2-250	Blue	250	115	2.00	51	3.50	89	4.38	111	4.00	102	4.38	111	7.00	178	7.50	190	.75	19	.38	10	5.50	140	.68	17	-	-
FDS-2-500	Green	500	225	2.00	51	3.50	89	4.38	111	4.00	102	4.38	111	7.00	178	7.50	190	.75	19	.38	10	5.50	140	.68	17	-	-
FDS-2-750	Black	750	340	2.00	51	3.50	89	4.38	111	4.00	102	4.38	111	7.00	178	7.50	190	.75	19	.38	10	5.50	140	.68	17	-	-
FDS-2-995	Orange	995	450	2.00	51	3.50	89	4.38	111	4.00	102	4.38	111	7.00	178	7.50	190	.75	19	.38	10	5.50	140	.68	17	-	-
FDS-2-1400	Org/Grn	1400	635	2.00	51	3.50	89	4.38	111	4.00	102	4.38	111	7.00	178	7.50	190	.75	19	.38	10	5.50	140	.68	17	-	-
FDS-2-1600	Red	1600	727	2.00	51	3.50	89	4.38	111	4.00	102	4.38	111	7.00	178	7.50	190	.75	19	.38	10	5.50	140	.68	17	-	-
FDS-2-1975	Red/Grn	1975	898	2.00	51	3.50	89	4.38	111	4.00	102	4.38	111	7.00	178	7.50	190	.75	19	.38	10	5.50	140	.68	17	-	-
FDS-2-2000*	Gray	2000	905	2.00	51	5.00	127	-	-	5.00	127	-	-	7.00	178	8.75	222	.75	19	.38	10	5.75	146	.56	14	3.75	95
FDS-2-2500*	Gray	2500	1135	2.00	51	5.00	127	-	-	5.00	127	-	-	7.00	178	8.75	222	.75	19	.38	10	5.75	146	.56	14	3.75	95
FDS-2-2750*	Gray	2750	1245	2.00	51	5.00	127	-	-	5.00	127	-	-	7.00	178	8.75	222	.88	22	.50	12	5.75	146	.56	14	3.75	95
FDS-2-3025*	Gray	3025	1375	2.00	51	5.00	127	-	-	5.00	127	-	-	7.00	178	8.75	222	.88	22	.50	12	5.75	146	.56	14	3.75	95
FDS-2-3250*	Gray	3250	1475	2.00	51	5.00	127	-	-	5.00	127	-	-	7.00	178	8.75	222	.88	22	.50	12	5.75	146	.56	14	3.75	95
FDS-2-3500*	Gray	3500	1588	2.02	51	5.00	127	-	-	5.00	127	-	-	7.00	178	8.75	222	.88	22	.50	12	5.75	146	.56	14	3.75	95
FDS-2-3900*	Gray	3900	1769	2.03	52	5.00	127	-	-	5.00	127	-	-	7.00	178	8.75	222	.88	22	.50	12	5.75	146	.56	14	3.75	95
FDS-2-4100*	Gray	4100	1864	2.03	52	5.00	127	-	-	5.00	127	-	-	7.00	178	8.75	222	.88	22	.50	12	5.75	146	.56	14	3.75	95
FDS-2-4500*	Gray	4500	2045	2.03	52	5.00	127	-	-	5.00	127	-	-	7.00	178	8.75	222	.88	22	.50	12	5.75	146	.56	14	3.75	95
FDS-2-4000*	Gray	4000	1815	2.00	51	5.00	127	-	-	6.00	152	-	-	14.00	356	9.25	235	.88	22	.50	12	12.75	324	.50	12	4.75	121
FDS-2-5000*	Gray	5000	2270	2.00	51	5.00	127	-	-	6.00	152	-	-	14.00	356	9.25	235	.88	22	.50	12	12.75	324	.50	12	4.75	121
FDS-2-5500*	Gray	5500	2495	2.00	51	5.00	127	-	-	6.00	152	-	-	14.00	356	9.25	235	.88	22	.50	12	12.75	324	.50	12	4.75	121
FDS-2-6050*	Gray	6050	2745	2.00	51	5.00	127	-	-	6.00	152	-	-	14.00	356	9.25	235	.88	22	.50	12	12.75	324	.50	12	4.75	121
FDS-2-6500*	Gray	6500	2950	2.00	51	5.00	127	-	-	6.00	152	-	-	14.00	356	9.25	235	.88	22	.50	12	12.75	324	.50	12	4.75	121
FDS-2-7000*	Gray	7000	3175	2.02	51	5.00	127	-	-	6.00	152	-	-	14.00	356	9.25	235	.88	22	.50	12	12.75	324	.50	12	4.75	121
FDS-2-7800*	Gray	7800	3538	2.03	52	5.00	127	-	-	6.00	152	-	-	14.00	356	9.25	235	.88	22	.50	12	12.75	324	.50	12	4.75	121
FDS-2-8200*	Gray	8200	3727	2.03	52	5.00	127	-	-	6.00	152	-	-	14.00	356	9.25	235	.88	22	.50	12	12.75	324	.50	12	4.75	121
FDS-2-9000*	Gray	9000	4091	2.03	52	5.00	127	-	-	6.00	152	-	-	14.00	356	9.25	235	.88	22	.50	12	12.75	324	.50	12	4.75	121
FDS-2-8000*	Gray	8000	3625	2.00	51	5.00	127	-	-	11.00	280	-	-	12.00	305	11.75	298	1.25	32	1.25	32	10.50	267	.81	21	-	-
FDS-2-10000*	Gray	10000	4535	2.00	51	5.00	127	-	-	11.00	280	-	-	12.00	305	11.75	298	1.25	32	1.25	32	10.50	267	.81	21	-	-
FDS-2-11000*	Gray	11000	4990	2.00	51	5.00	127	-	-	11.00	280	-	-	12.00	305	11.75	298	1.50	38	1.50	38	10.50	267	.81	21	-	-
FDS-2-12100*	Gray	12100	5490	2.00	51	5.00	127	-	-	11.00	280	-	-	12.00	305	11.75	298	1.50	38	1.50	38	10.50	267	.81	21	-	-
FDS-2-13000*	Gray	13000	5895	2.00	51	5.00	127	-	-	11.00	280	-	-	12.00	305	11.75	298	1.50	38	1.50	38	10.50	267	.81	21	-	-
FDS-2-14000*	Gray	14000	6350	2.02	51	5.00	127	-	-	11.00	280	-	-	12.00	305	11.75	298	1.50	38	1.50	38	10.50	267	.81	21	-	-
FDS-2-15600*	Gray	15600	7076	2.03	52	5.00	127	-	-	11.00	280	-	-	12.00	305	11.75	298	1.50	38	1.50	38	10.50	267	.81	21	-	-
FDS-2-16400*	Gray	16400	7455	2.03	52	5.00	127	-	-	11.00	280	-	-	12.00	305	11.75	298	1.50	38	1.50	38	10.50	267	.81	21	-	-
FDS-2-18000*	Gray	18000	8182	2.03	52	5.00	127	-	-	11.00	280	-	-	12.00	305	11.75	298	1.50	38	1.50	38	10.50	267	.81	21	-	-

\* Welded configuration.

\*\* Add 1" (25 mm) for welded or bolt-down construction.

Isolator Type	Spring Color	Rated Capacity		Rated Deflection		Spring O.D.		A		A <sub>1</sub>		B		B <sub>1</sub>		C		D		F		G		H		J	
		(lbs.)	(kg)	(in)	(mm)	(in)	(mm)	(in)	(mm)	(in)	(mm)	(in)	(mm)	(in)	(mm)	(in)	(mm)	(in)	(mm)	(in)	(mm)	(in)	(mm)	(in)	(mm)	(in)	(mm)
FDS-1-35	Blue	35	16	1.52	39	1.75	45	2.63	67	-	-	2.63	67	-	-	4.25	108	.63	16	.38	10	-	-	-	-	-	-
FDS-1-70	Green	70	32	1.36	35	1.75	45	2.63	67	-	-	2.63	67	-	-	4.25	108	.63	16	.38	10	-	-	-	-	-	-
FDS-1-120	Gray	120	55	1.18	30	1.75	45	2.63	67	2.50	64	2.63	67	4.50	114	4.25	108	.63	16	.38	10	3.50	89	.56	14	-	-
FDS-1-220	Brown	220	100	1.07	27	1.75	45	2.63	67	2.50	64	2.63	67	4.50	114	4.25	108	.63	16	.38	10	3.50	89	.56	14	-	-
FDS-1-370	Orange	370	165	1.00	25	1.75	45	2.63	67	2.50	64	2.63	67	4.50	114	4.25	108	.63	16	.38	10	3.50	89	.56	14	-	-
FDS-1-500	Beige	500	225	1.00	25	1.75	45	2.63	67	2.50	64	2.63	67	4.50	114	4.25	108	.63	16	.38	10	3.50	89	.56	14	-	-
FDS-1-600	Chrome	600	275	1.00	25	1.75	45	2.63	67	2.50	64	2.63	67	4.50	114	4.25	108	.63	16	.38	10	3.50	89	.56	14	-	-
FDS-1-700	Beige/Wh	700	315	1.00	25	1.75	45	2.63	67	2.50	64	2.63	67	4.50	114	4.25	108	.63	16	.38	10	3.50	89	.56	14	-	-
FDS-1-805	Chr/Wh	805	365	1.00	25	1.75	45	2.63	67	2.50	64	2.63	67	4.50	114	4.25	108	.63	16	.38	10	3.50	89	.56	14	-	-
FDS-1-250	Blue	250	115	1.79	46	3.00	76	3.88	99	4.00	102	3.88	99	7.00	178	5.63	143	.75	19	.38	10	5.50	140	.68	17	-	-
FDS-1-450	Green	450	205	1.54	39	3.00	76	3.88	99	4.00	102	3.88	99	7.00	178	5.63	143	.75	19	.38	10	5.50	140	.68	17	-	-
FDS-1-625	Black	625	285	1.44	37	3.00	76	3.88	99	4.00	102	3.88	99	7.00	178	5.63	143	.75	19	.38	10	5.50	140	.68	17	-	-
FDS-1-800	Gray	800	365	1.31	33	3.00	76	3.88	99	4.00	102	3.88	99	7.00	178	5.63	143	.75	19	.38	10	5.50	140	.68	17	-	-
FDS-1-1000	Red	1000	455	1.15	29	3.00	76	3.88	99	4.00	102	3.88	99	7.00	178	5.63	143	.75	19	.38	10	5.50	140	.68	17	-	-
FDS-1-1250	Brown	1250	565	1.09	28	3.00	76	3.88	99	4.00	102	3.88	99	7.00	178	5.63	143	.75	19	.38	10	5.50	140	.68	17	-	-
FDS-1-1700	Orange	1700	770	1.00	25	3.00	76	3.88	99	4.00	102	3.88	99	7.00	178	5.63	143	.75	19	.38	10	5.50	140	.68	17	-	-
FDS-1-2200	Org/Gray	2200	998	1.00	25	3.00	76	3.88	99	4.00	102	3.88	99	7.00	178	5.63	143	.75	19	.38	10	5.50	140	.68	17	-	-
FDS-1-2465	Blue	2465	1118	1.00	25	3.00	76	3.88	99	4.00	102	3.88	99	7.00	178	5.63	143	.75	19	.38	10	5.50	140	.68	17	-	-
FDS-1-2865	Blue/Gray	2865	1300	1.00	25	3.00	76	3.88	99	4.00	102	3.88	99	7.00	178	5.63	143	.75	19	.38	10	5.50	140	.68	17	-	-
FDS-1-3500	Blue/Brn	3500	1588	1.00	25	3.00	76	3.88	99	4.00	102	3.88	99	7.00	178	5.63	143	.75	19	.38	10	5.50	140	.68	17	-	-
FDS-1-2500*	Gray	2500	1134	1.09	28	3.00	76	-	-	4.00	102	-	-	10.00	254	6.25	159	.88	22	.50	12	8.50	216	.68	17	2.50	64
FDS-1-3400*	Gray	3400	1542	1.00	25	3.00	76	-	-	4.00	102	-	-	10.00	254	6.25	159	.88	22	.50	12	8.50	216	.68	17	2.50	64
FDS-1-4400*	Gray	4400	1996	1.00	25	3.00	76	-	-	4.00	102	-	-	10.00	254	6.25	159	.88	22	.50	12	8.50	216	.68	17	2.50	64
FDS-1-4930*	Gray	4930	2236	1.00	25	3.00	76	-	-	4.00	102	-	-	10.00	254	6.25	159	.88	22	.50	12	8.50	216	.68	17	2.50	64
FDS-1-5730*	Gray	5730	2599	1.00	25	3.00	76	-	-	4.00	102	-	-	10.00	254	6.25	159	.88	22	.50	12	8.50	216	.68	17	2.50	64
FDS-1-7000*	Gray	7000	3175	1.00	25	3.00	76	-	-	4.00	102	-	-	10.00	254	6.25	159	.88	22	.50	12	8.50	216	.68	17	2.50	64
FDS-1-5000*	Gray	5000	2270	1.09	28	3.00	76	-	-	8.00	203	-	-	8.00	203	6.88	175	.88	22	.50	12	6.50	165	.68	17	-	-
FDS-1-6800*	Gray	6800	3085	1.00	25	3.00	76	-	-	8.00	203	-	-	8.00	203	6.88	175	.88	22	.50	12	6.50	165	.68	17	-	-
FDS-1-8800*	Gray	8800	3992	1.00	25	3.00	76	-	-	8.00	203	-	-	8.00	203	6.88	175	.88	22	.50	12	6.50	165	.68	17	-	-
FDS-1-9860*	Gray	9860	4472	1.00	25	3.00	76	-	-	8.00	203	-	-	8.00	203	6.88	175	1.50	38	.63	16	6.50	165	.68	17	-	-
FDS-1-11460*	Gray	11460	5198	1.00	25	3.00	76	-	-	8.00	203	-	-	8.00	203	6.88	175	1.50	38	.63	16	6.50	165	.68	17	-	-
FDS-1-14000*	Gray	14000	6350	1.00	25	3.00	76	-	-	8.00	203	-	-	8.00	203	6.88	175	1.50	38	.63	16	6.50	165	.68	17	-	-

\* Welded configuration.

\*\* Add 1" (25 mm) for welded or bolt-down construction.

# KINETICS™

## Free Standing Spring Isolators Model FDS-4

### Description

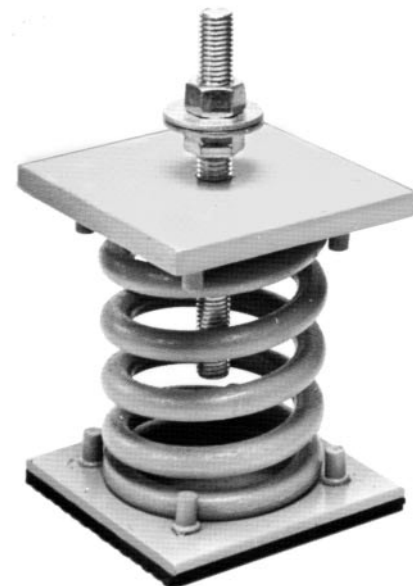
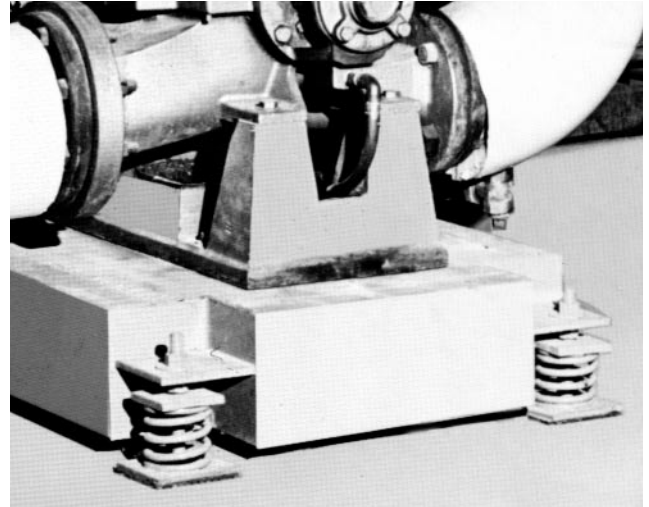
Kinetics Model FDS Spring Vibration Isolators consist of high deflection, free-standing, unhusd, large diameter, laterally stable steel springs assembled into an upper load plate and leveling assembly. To assure stability, the spring isolators have a lateral spring stiffness greater than 1.0 times the rated vertical stiffness and are designed to provide a minimum 50% overload capacity. Springs are epoxy powder coated, with a 1,000-hour salt spray rating per ASTM B-117. In lighter capacities, FDS Spring Isolators have molded neoprene bottom load plate assemblies. In heavier capacities, springs are welded to the load plate assemblies and are furnished with a neoprene noise isolation pad. FDS Isolators have provisions for bolting the isolator to the structure. FDS isolators are available with deflections to 4" (102 mm) and with load capacities to 23,200 lbs. (10,523 kg) as standard products. Custom isolators with higher deflection and greater load capacities are also available. Kinetics Model FDS Spring Isolators are highly effective for control of both high and low frequency vibration produced by reciprocating air or refrigeration compressors, pumps, packaged air-handling and air-conditioning equipment, centrifugal and axial fans, internal combustion engines, etc.

### Application

Kinetics Model FDS spring mounts are recommended for use in isolating floor-mounted sources of noise and vibration located near critically quiet areas.

Model FDS spring mounts are typically used to reduce the transmission of noise and vibration from low speed mechanical equipment into a building structure. Operating static deflections are available up to 4" (102 mm) to compensate for long span flexible floor structures.

Model FDS spring mounts are used in a wide range of applications, some requiring Kinetics equipment bases in addition to spring isolators, and can be used to support and isolate the following equipment types: reciprocating air or refrigeration compressors, close coupled and base-mounted pumps, packaged air-handling and refrigeration equipment, centrifugal fans, internal combustion engines, and similar equipment.



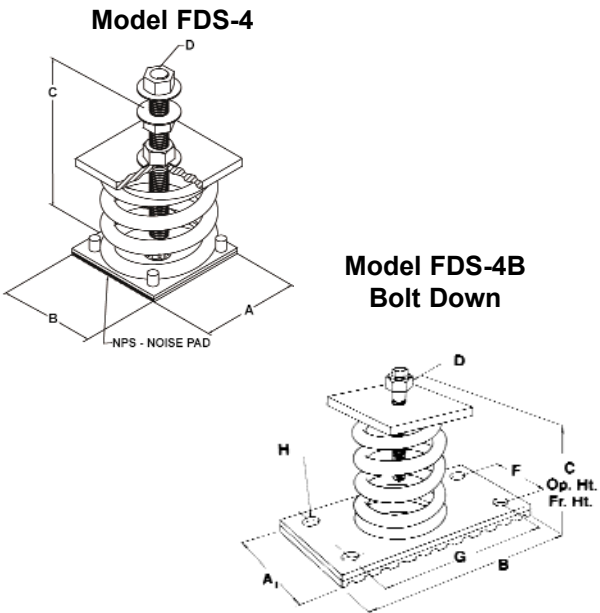
**Model FDS-4  
Specifications:**

Vibration isolators shall be free standing, unhooused, laterally stable steel springs. Springs shall have a lateral stiffness greater than 1.0 times the rated vertical stiffness and shall be designed to provide a minimum 50% overload capacity.

Springs shall be assembled between top and bottom load plates. The upper load plate shall be provided with a steel leveling bolt, lock-nut and washer for attachment to the supported equipment. The lower load plate shall incorporate a non-skid noise isolation pad and shall have provisions for bolting the isolator to the supporting structure, as required.

Springs shall be selected to provide static deflections shown on the Vibration Isolation Schedule or as indicated on the project bid documents. Springs shall be color coded or otherwise identified to indicate load capacity.

Spring isolation mounts for floor-mounted equipment shall be Model FDS, as manufactured by Kinetics Noise Control, Inc.



Isolator Type	Spring Color	Rated Capacity		Rated Deflection		Spring O.D.	
		(lb)	(kg)	(in)	(mm)	(in)	(mm)
FDS-4-100	Gray	100	46	4.00	102	5.63	143
FDS-4-250	Blue	250	114	4.00	102	5.63	143
FDS-4-500	Green	500	227	4.00	102	5.63	143
FDS-4-750	Black	750	341	4.00	102	5.63	143
FDS-4-1000	Red	1000	455	4.00	102	5.63	143
FDS-4-1250	Brown	1250	568	4.00	102	5.63	143
FDS-4-1600	Orange	1600	727	4.00	102	5.63	143
FDS-4-2250*	Gray	2250	1023	4.00	102	8.00	203
FDS-4-2500*	Gray	2500	1136	4.00	102	8.00	203
FDS-4-2750*	Gray	2750	1250	4.00	102	8.00	203
FDS-4-3000*	Gray	3000	1364	4.00	102	8.00	203
FDS-4-3250*	Gray	3250	1477	4.00	102	8.00	203
FDS-4-3500*	Gray	3500	1591	4.00	102	8.00	203
FDS-4-3850*	Gray	3850	1746	4.00	102	8.00	203
FDS-4-4200*	Gray	4200	1905	4.00	102	8.00	203
FDS-4-4450*	Gray	4450	2019	4.00	102	8.00	203
FDS-4-4700*	Gray	4700	2132	4.00	102	8.00	203
FDS-4-4950*	Gray	4950	2245	4.00	102	8.00	203
FDS-4-5200*	Gray	5200	2359	4.00	102	8.00	203
FDS-4-5450*	Gray	5450	2472	4.00	102	8.00	203
FDS-4-5800*	Gray	5800	2631	4.00	102	8.00	203
FDS-4-5500*	Gray	5500	2495	4.00	102	8.00	203
FDS-4-6000*	Gray	6000	2722	4.00	102	8.00	203
FDS-4-6500*	Gray	6500	2948	4.00	102	8.00	203
FDS-4-7000*	Gray	7000	3175	4.00	102	8.00	203
FDS-4-7700*	Gray	7700	3493	4.00	102	8.00	203
FDS-4-8400*	Gray	8400	3810	4.00	102	8.00	203
FDS-4-8900*	Gray	8900	4037	4.00	102	8.00	203
FDS-4-9400*	Gray	9400	4264	4.00	102	8.00	203
FDS-4-9900*	Gray	9900	4491	4.00	102	8.00	203
FDS-4-10400*	Gray	10400	4717	4.00	102	8.00	203
FDS-4-10900*	Gray	10900	4944	4.00	102	8.00	203
FDS-4-11600*	Gray	11600	5262	4.00	102	8.00	203
FDS-4-11000*	Gray	11000	4990	4.00	102	8.00	203
FDS-4-12000*	Gray	12000	5443	4.00	102	8.00	203
FDS-4-13000*	Gray	13000	5897	4.00	102	8.00	203
FDS-4-14000*	Gray	14000	6350	4.00	102	8.00	203
FDS-4-15400*	Gray	15400	6985	4.00	102	8.00	203
FDS-4-16800*	Gray	16800	7620	4.00	102	8.00	203
FDS-4-17800*	Gray	17800	8074	4.00	102	8.00	203
FDS-4-18800*	Gray	18800	8528	4.00	102	8.00	203
FDS-4-19800*	Gray	19800	8982	4.00	102	8.00	203
FDS-4-20800*	Gray	20800	9435	4.00	102	8.00	203
FDS-4-21800*	Gray	21800	9888	4.00	102	8.00	203
FDS-4-23200*	Gray	23200	10524	4.00	102	8.00	203

\*Welded configuration

Isolator Type	A		B		C		D		F		G		H	
	(in)	(mm)	(in)	(mm)	(in)	(mm)	(in)	(mm)	(in)	(mm)	(in)	(mm)	(in)	(mm)
FDS-4-100	6.00	152	6.00	152	13.00	330	.88	22	-	-	-	-	.81	21
FDS-4-250	6.00	152	6.00	152	13.00	330	.88	22	-	-	-	-	.81	21
FDS-4-500	6.00	152	6.00	152	13.00	330	.88	22	-	-	-	-	.81	21
FDS-4-750	6.00	152	6.00	152	13.00	330	.88	22	-	-	-	-	.81	21
FDS-4-1000	6.00	152	6.00	152	13.00	330	.88	22	-	-	-	-	.81	21
FDS-4-1250	6.00	152	6.00	152	13.00	330	.88	22	-	-	-	-	.81	21
FDS-4-1600	6.00	152	6.00	152	13.00	330	.88	22	-	-	-	-	.81	21
FDS-4-2250*	8.00	203	10.00	254	15.25	387	1.25	32	6.50	165	8.50	216	.69	18
FDS-4-2500*	8.00	203	10.00	254	15.25	387	1.25	32	6.50	165	8.50	216	.69	18
FDS-4-2750*	8.00	203	10.00	254	15.25	387	1.25	32	6.50	165	8.50	216	.69	18
FDS-4-3000*	8.00	203	10.00	254	15.25	387	1.25	32	6.50	165	8.50	216	.69	18
FDS-4-3250*	8.00	203	10.00	254	15.25	387	1.25	32	6.50	165	8.50	216	.69	18
FDS-4-3500*	8.00	203	10.00	254	15.25	387	1.25	32	6.50	165	8.50	216	.69	18
FDS-4-3850*	8.00	203	10.00	254	15.25	387	1.25	32	6.50	165	8.50	216	.69	18
FDS-4-4200*	8.00	203	10.00	254	15.25	387	1.25	32	6.50	165	8.50	216	.69	18
FDS-4-4450*	8.00	203	10.00	254	15.25	387	1.25	32	6.50	165	8.50	216	.69	18
FDS-4-4700*	8.00	203	10.00	254	15.25	387	1.25	32	6.50	165	8.50	216	.69	18
FDS-4-4950*	8.00	203	10.00	254	15.25	387	1.25	32	6.50	165	8.50	216	.69	18
FDS-4-5200*	8.00	203	10.00	254	15.25	387	1.25	32	6.50	165	8.50	216	.69	18
FDS-4-5450*	8.00	203	10.00	254	15.25	387	1.25	32	6.50	165	8.50	216	.69	18
FDS-4-5800*	8.00	203	10.00	254	15.25	387	1.25	32	6.50	165	8.50	216	.69	18
FDS-4-5500*	8.00	203	18.50	470	16.00	406	1.25	32	7.25	184	17.00	432	.69	18
FDS-4-6000*	8.00	203	18.50	470	16.00	406	1.25	32	7.25	184	17.00	432	.69	18
FDS-4-6500*	8.00	203	18.50	470	16.00	406	1.25	32	7.25	184	17.00	432	.69	18
FDS-4-7000*	8.00	203	18.50	470	16.00	406	1.25	32	7.25	184	17.00	432	.69	18
FDS-4-7700*	8.00	203	18.50	470	16.00	406	1.25	32	7.25	184	17.00	432	.69	18
FDS-4-8400*	8.00	203	18.50	470	16.00	406	1.25	32	7.25	184	17.00	432	.69	18
FDS-4-8900*	8.00	203	18.50	470	16.00	406	1.25	32	7.25	184	17.00	432	.69	18
FDS-4-9400*	8.00	203	18.50	470	16.00	406	1.25	32	7.25	184	17.00	432	.69	18
FDS-4-9900*	8.00	203	18.50	470	16.00	406	1.25	32	7.25	184	17.00	432	.69	18
FDS-4-10400*	8.00	203	18.50	470	16.00	406	1.25	32	7.25	184	17.00	432	.69	18
FDS-4-10900*	8.00	203	18.50	470	16.00	406	1.25	32	7.25	184	17.00	432	.69	18
FDS-4-11600*	8.00	203	18.50	470	16.00	406	1.25	32	7.25	184	17.00	432	.69	18
FDS-4-11000*	16.00	406	18.00	457	16.75	425	1.50	38	14.25	362	16.25	413	.81	21
FDS-4-12000*	16.00	406	18.00	457	16.75	425	1.50	38	14.25	362	16.25	413	.81	21
FDS-4-13000*	16.00	406	18.00	457	16.75	425	1.50	38	14.25	362	16.25	413	.81	21
FDS-4-14000*	16.00	406	18.00	457	16.75	425	1.50	38	14.25	362	16.25	413	.81	21
FDS-4-15400*	16.00	406	18.00	457	16.75	425	1.50	38	14.25	362	16.25	413	.81	21
FDS-4-16800*	16.00	406	18.00	457	16.75	425	1.50	38	14.25	362	16.25	413	.81	21
FDS-4-17800*	16.00	406	18.00	457	16.75	425	1.50	38	14.25	362	16.25	413	.81	21
FDS-4-18800*	16.00	406	18.00	457	17.25	438	1.75	44	14.25	362	16.25	413	.81	21
FDS-4-19800*	16.00	406	18.00	457	17.25	438	1.75	44	14.25	362	16.25	413	.81	21
FDS-4-20800*	16.00	406	18.00	457	17.25	438	1.75	44	14.25	362	16.25	413	.81	21
FDS-4-21800*	16.00	406	18.00	457	17.25	438	1.75	44	14.25	362	16.25	413	.81	21
FDS-4-23200*	16.00	406	18.00	457	17.25	438	1.75	44	14.25	362	16.25	413	.81	21



United States	Canada
6300 Irelan Place	1720 Meyerside Drive
P.O. Box 655	Mississauga, Ontario
Dublin, Ohio 43017	L5T 1A3
Phone: 614-889-0480	Phone: 905-670-4922
Fax: 614-889-0540	Fax: 905-670-1698

**[www.kineticsnoise.com](http://www.kineticsnoise.com)**  
**[sales@kineticsnoise.com](mailto:sales@kineticsnoise.com)**

Kinetics Noise Control, Inc. is continually upgrading the quality of our products. We reserve the right to make changes to this and all products without notice.