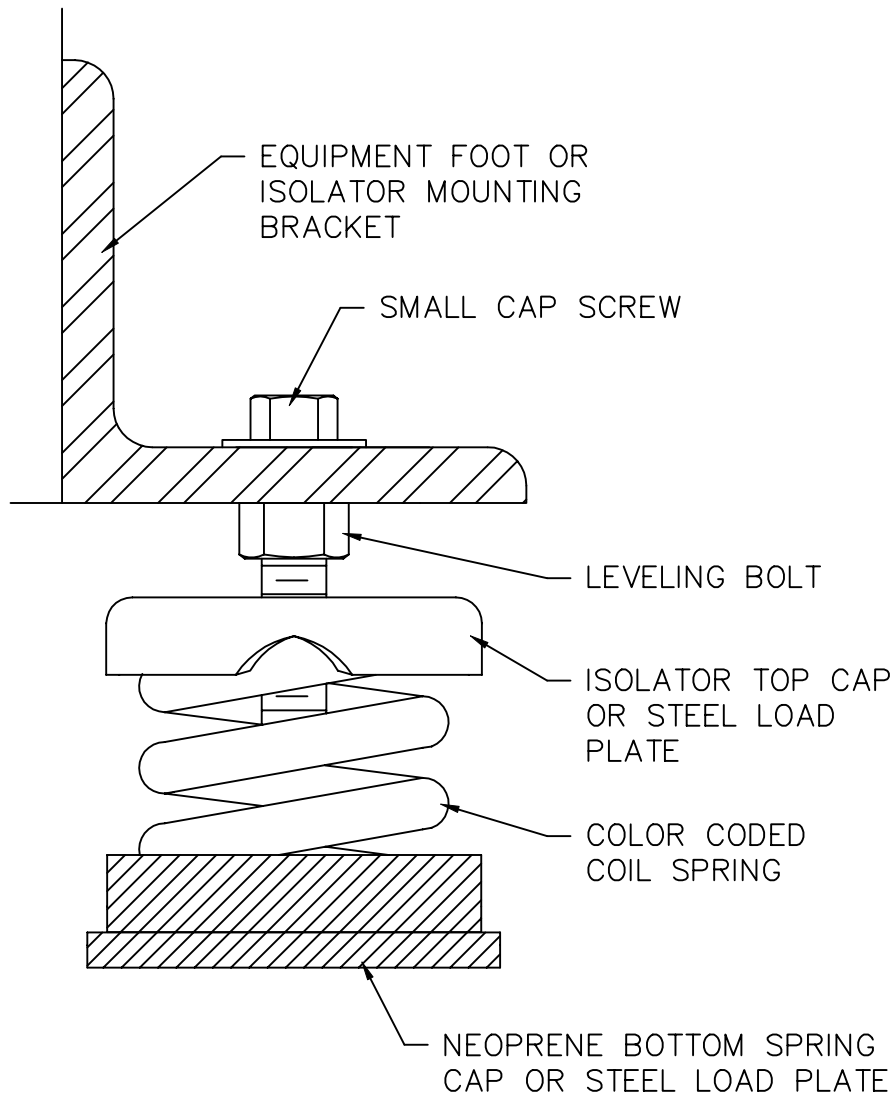


INSTALLATION INSTRUCTIONS FOR TYPE FDS KINETICS SPRING ISOLATION MOUNTS



1. THREAD THE LEVELING BOLT INTO THE TOP LOAD PLATE OF THE SPRING, UNTIL THE HEAD OF THE BOLT IS WITHIN 1/8" OF THE TOP LOAD PLATE OF THE SPRING.
2. COORDINATE THE LOCATION OF EACH ISOLATOR WITH THE APPROPRIATE SUBMITTAL DRAWING AND WITH THE COLOR CODE CHART PROVIDED FOR EACH SPRING.
3. REMOVE THE SMALL CAP SCREW AND WASHER. RAISE THE EQUIPMENT BASE WITH JACKS OR SIMILAR TOOLS (DO NOT ATTEMPT TO RAISE THE EQUIPMENT VIA ONE (1) LIFTING POINT, BUT LIFT EVENLY AROUND THE PERIMETER OF THE EQUIPMENT). SLIDE THE SPRING ISOLATOR UNDER THE EQUIPMENT OR MOUNTING BRACKET WITH THE BOLT HEAD ON THE UNDERSIDE OF THE BRACKET.
4. INSERT THE SMALL CAP SCREW THROUGH THE BRACKET AND THREAD INTO THE TOP OF THE LEVELING BOLT AND TIGHTEN FINGER TIGHT.
5. IF THE EQUIPMENT WEIGHS 1,000 LBS. OR MORE, THE PLACEMENT OF BLOCKS BENEATH THE EQUIPMENT NEAR EACH ISOLATOR POINT WILL ASSIST INSTALLATION. THE HEIGHT OF EACH BLOCK SHOULD BE SUCH THAT THE EQUIPMENT WILL BE AT ITS REQUIRED OPERATING HEIGHT WHEN SITTING ON THE BLOCKS.
6. LOWER THE EQUIPMENT (EVENLY) ONTO THE SPRING ISOLATORS OR BLOCKS, TAKING CARE NOT TO OVERLOAD ANY ONE ISOLATOR AND TAKING CARE NOT TO PUSH THE EQUIPMENT SIDWAYS.
7. FOR SMALL EQUIPMENT, WHERE BLOCKS ARE NOT USED, TURN THE LEVELING BOLT COUNTER CLOCKWISE ON THE LOWEST EQUIPMENT CORNER UNTIL THE EQUIPMENT IS LEVEL. DO NOT ATTEMPT TO PLACE ALL THE WEIGHT ON ONE SPRING, BUT DISTRIBUTE THE LOAD PROPORTIONATELY BY ADJUSTING EACH ISOLATOR IN SEQUENCE.
8. FOR LARGER EQUIPMENT, WHERE BLOCKS ARE USED, TURN THE LEVELING BOLT COUNTER CLOCKWISE UNTIL THE EQUIPMENT JUST COMES FREE FROM THE BLOCKS. THE BLOCKS MAY THEN BE REMOVED. IT MAY BE DESIRED TO LEAVE THE EQUIPMENT ON BLOCKS UNTIL IT IS OPERATING, THUS ELIMINATING FUTURE RELEVELING SHOULD THERE BE A MAJOR WEIGHT SHIFT DURING EQUIPMENT START UP.
9. CONTINUE TO ADJUST EACH LEVELING BOLT (IN SEQUENCE) UNTIL THE EQUIPMENT IS AT ITS OPERATING HEIGHT, SHOWN IN THE APPROPRIATE SUBMITTAL DRAWING.
10. TIGHTEN THE SMALL CAP SCREW, THUS SECURING THE SPRING ISOLATOR TO THE SUPPORTED EQUIPMENT AND LOCKING THE LEVELING BOLT AGAINST TURNING.
11. DO NOT ATTEMPT TO MOVE THE EQUIPMENT Laterally WHILE IT IS SUPPORTED ON THE ISOLATORS. IF IT IS NECESSARY TO MOVE THE EQUIPMENT, REMOVE THE WEIGHT FROM THE ISOLATORS BY RAISING THE EQUIPMENT BEFORE MOVING. FAILURE TO FOLLOW THIS PROCEDURE COULD RESULT IN BENT OR BROKEN LEVELING BOLTS OR SPRINGS, OR DAMAGE TO THE NEOPRENE BOTTOM SPRING CAP.