

# CEILING MOUNTS

## Springtec range

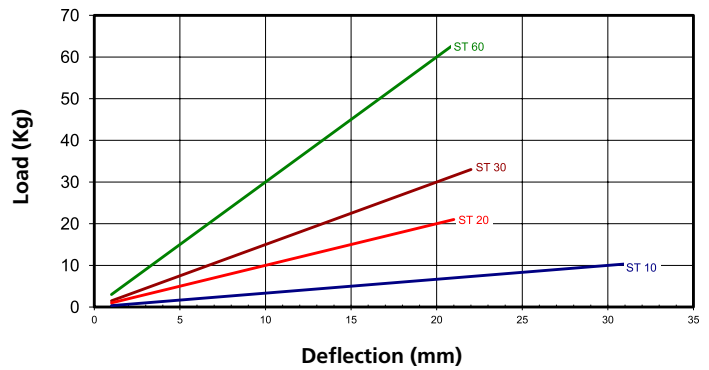
Load from 5 to 60 kg.

Range designed for suspensions of false acoustic ceilings and machinery working at more than 450 r.p.m. Manufactured with piano tail quality spring of great mechanical resistance guided by two rubber plates with integral end stops to prevent contact between spirals when overloading.

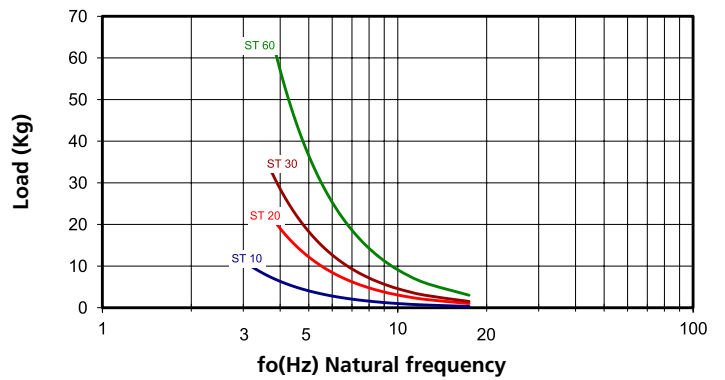


### Dynamic behaviour

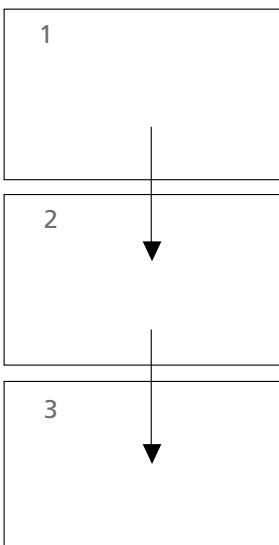
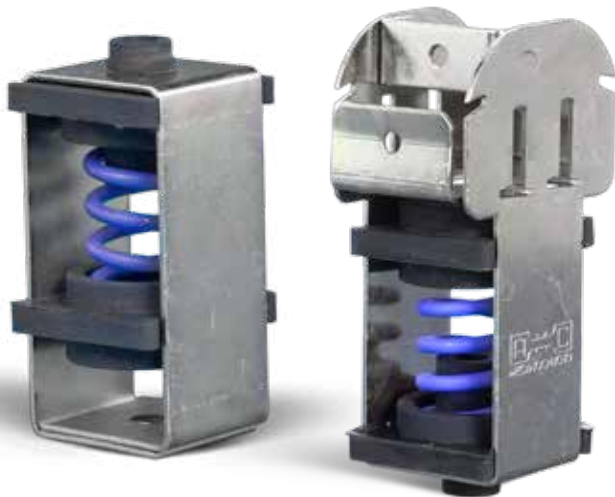
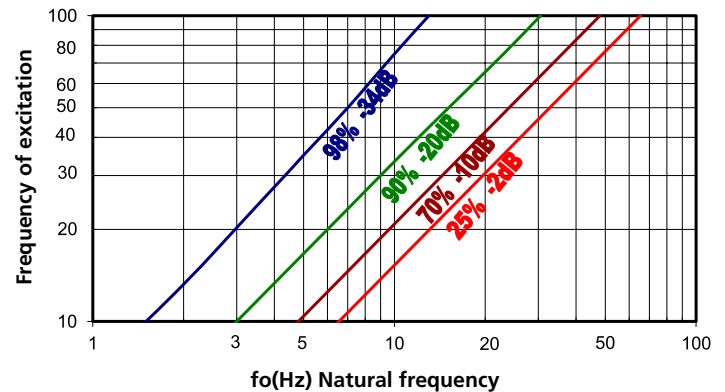
Static load deflection graph



Natural frequency (Hz)



% of isolation and attenuation in dB



To select correct mounting, following data are needed:

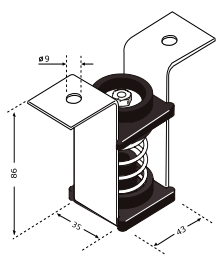
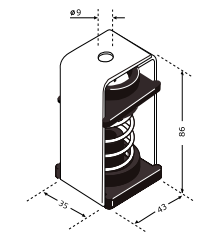
- Load per mounting (kg).
- Disturbing frequency (Hz).

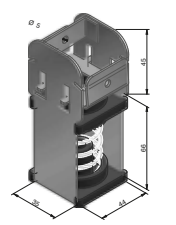
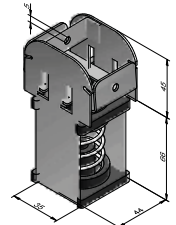
Select correct load line in diagram 1 and refer to diagram 2 to obtain the Natural frequency. With this natural frequency prolong this line to the diagram 3 and obtain the % of isolation at the given frequency of excitation.

# AKUSTIK+ AMC Mecanocaucho

## CEILING MOUNTS

### Springtec ceiling hanger

	LOAD AMC	MAX. PERMANENT LOAD	LOAD
	Springtec ST-10 Type 1	10 Kg.	23301
	Springtec ST-20 Type 1	20 Kg.	23302
	Springtec ST-30 Type 1	30 Kg.	23303
	Springtec ST-60 Type 1	60 Kg.	23304
	Springtec ST-10 Type 2	10 Kg.	23305
	Springtec ST-20 Type 2	20 Kg.	23307
	Springtec ST-30 Type 2	30 Kg.	23309
	Springtec ST-60 Type 2	60 Kg.	23311

	LOAD AMC	MAX. PERMANENT LOAD	LOAD
	Springtec Super T-47 Type ST-10	10 Kg.	23421
	Springtec Super T-47 Type ST-20	20 Kg.	23422
	Springtec Super T-47 Type ST-30	30 Kg.	23423
	Springtec Super T-47 Type ST-60	60 Kg.	23424
	Springtec Super T-60 Type ST-10	10 Kg.	23351
	Springtec Super T-60 Type ST-20	20 Kg.	23352
	Springtec Super T-60 Type ST-30	30 Kg.	23353
	Springtec Super T-60 Type ST-60	60 Kg.	23354

